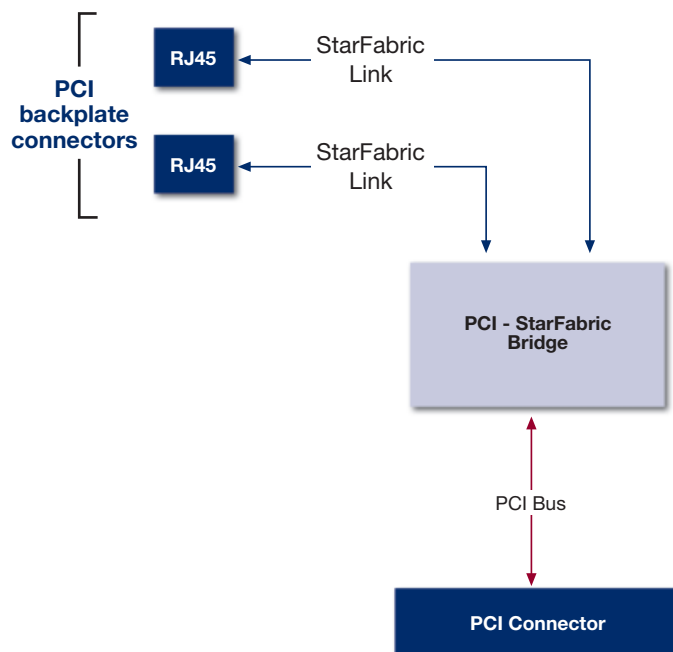


PM100 StarFabric PCI Interface Card

The **PM100** enables users to support next generation system requirements while maintaining investments in legacy PCI devices. This interface card is ideal for demanding real-time applications that require maximum scalability, bandwidth and reliability.

The PCI 2.2 compliant interface card connects to any StarFabric enabled device, including Parsec's PM410, via shielded CAT5 cables with RJ45 connectors. The interface card and any StarFabric enabled device can be placed 10 meters apart. The PM100 is compatible with 64-bit/66 MHz and 32-bit/33 MHz bus speeds. Featuring two 2.5 Gbps, full duplex StarFabric serial links, the PM100 translates PCI traffic into serial frame format for transmission across the switched fabric or directly to a remote StarFabric enabled device.



Building 10
Manhattan Office Park
16 Pieter Street
Highveld Techno Park
Centurion, 0157
South Africa

P.O. Box 67499
Highveld
0169
South Africa

Tel:
+27 12 678 9740

Fax:
+27 12 678 9741

E-mail:
info@parsec.co.za

www.parsec.co.za



FEATURES

General

- Incorporates Stargen s SG2010 StarFabric-to-PCI bridge
- Two StarFabric links via RJ45 interconnects
- Two 2.5 Gbps full duplex StarFabric serial links
- Serial ROM for SG2010
- Two CAT5 interface cables included

PCI Interface

- PCI Rev. 2.2 compliant interface
- 32/64-bit 33/66MHz bus
- PCI short card form factor

Environmental

- Operating temperature: +10 to +50 °C
- Storage temperature: -20 to +60 °C
- Relative humidity: 5% to 95%, non-condensing

Software Support

- Device driver for Windows 2000/XP
- Custom application / driver development available upon request

Application Examples

- **Automated test equipment**
- **Clustering applications**
- **Communications (media gateways, blade servers)**
- **Industrial control / automation**
- **Medical imaging**
- **Military applications**
- **PCI expansion**
- **Storage**
- **Video / image processing**

Disclaimer:

The information contained in this product brief is believed to be accurate; however, no responsibility is assumed by Parsec for its use, and no license or rights are granted by implication or otherwise in connection therewith. Specifications are subject to change with out notice.